



AEU-2

MATEMATIK KISITSIGASUARNEQ / FÆRDIGHEDSREGNING MAJ 2016

Piffissami nal. ak / Tidspunkt:

13.00 – 14.00

Ulloq misilitsiffik / Dato:

Sisamangorneq / torsdag den 19. maj 2016

Ikiutitut atorreqarsinnaasut / Hjælpemidler:

Lineal

Passer

Vinkelmåler

Ordbøger

Misilitsinnerup sivilissusaa / Varighed:

Akunneq ataaseq / 1 time

Atuartup aqqa / Elevens navn:

Cpr. nr. :

Piareersarfik:

Nakkutilliisup atsiornera / Prøvevagtens navn:

Piffissaq tunniussiffik / Tidspunkt for aflevering:

- $372 + 253 = \underline{\hspace{2cm}}$
 - $761 - 186 = \underline{\hspace{2cm}}$
 - $7 \cdot 231 = \underline{\hspace{2cm}}$
 - $468 : 3 = \underline{\hspace{2cm}}$
-

Kisitsimmut ilivitsumut qaninnermut akunnaallikkit

- $12,47 = \underline{\hspace{2cm}}$
 - $235,34 = \underline{\hspace{2cm}}$
-

Procentit

- 380 kr.-p 40%-ia = $\underline{\hspace{2cm}}$ kr.
 - 108,75 kr. 435 kr.-p $\underline{\hspace{2cm}}$ %-eraa
-

Allanngorlugit allakkit

- 568 cm = $\underline{\hspace{2cm}}$ m
 - 4,620 kg = $\underline{\hspace{2cm}}$ g
 - 275 dl = $\underline{\hspace{2cm}}$ l
-

Eqikkaagit

- $7a + 5b - 2a = \underline{\hspace{2cm}}$
 - $4 \cdot (a - 6b) = \underline{\hspace{2cm}}$
-

Assigiissitat kisikkit

- $6x = 36$ $x = \underline{\hspace{2cm}}$
 - $4x + 7 = 39$ $x = \underline{\hspace{2cm}}$
-

Naatsorsukkit

- $\frac{5}{8} + \frac{2}{8} = \underline{\hspace{2cm}}$
 - $\frac{2}{3} - \frac{4}{9} = \underline{\hspace{2cm}}$
 - $3 \cdot \frac{4}{18} = \underline{\hspace{2cm}}$
 - 48-p $\frac{2}{6}$ -ia = $\underline{\hspace{2cm}}$
-

Naatsorsukkit

- $\frac{2^5}{2^3} = \underline{\hspace{2cm}}$
 - $5^2 \cdot 5^1 = \underline{\hspace{2cm}}$
-

Kisitsit amigaataasoq allaguk

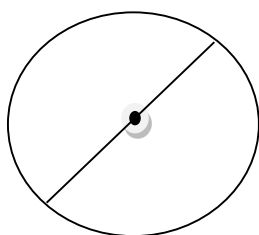
- $16 - 32 - 48 - \underline{\hspace{1cm}} - 80 - 96$
-

Allanngorlugit kisikkit

- Sekundit 360-it
= minutsit $\underline{\hspace{2cm}}$

24. Sapaatip akunneri marluk

= ullut $\underline{\hspace{2cm}}$



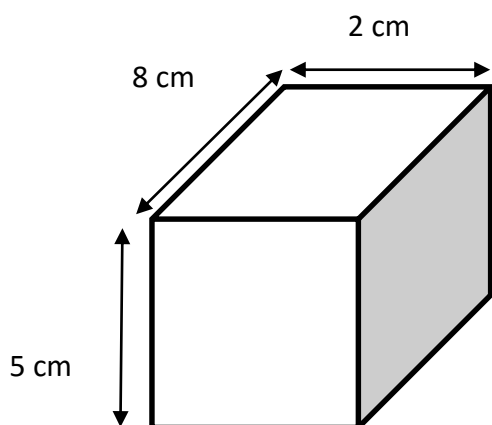
$d = 20 \text{ cm}$

$$\pi = 3,14$$

$$O = 2 \cdot \pi \cdot r$$

25. Cirkelip kaajallannera O ____cm-iuvoq

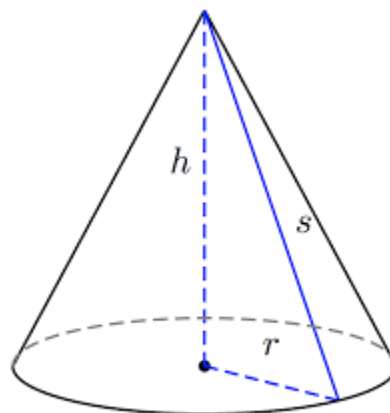
26. Cirkelip radiusia titartaruk



27. Saneqqap 10 cm^2 -ip diagonaalii titakkit

28. Qasertortaata annertussusia
_____ cm^2 -iuvoq

29. Karsip initussusia
_____ cm^3 -iuvoq



30. Titartagaq taaneqartarpoq

Titartakkap qaavata ulamertup annertussusia O tassaavoq 600 cm^2 .

Qaavata ulamertup annertussusia, formeli una atorlugu naatsorsorne-qarsinnaavoq:

$$O = \pi \cdot s \cdot r$$

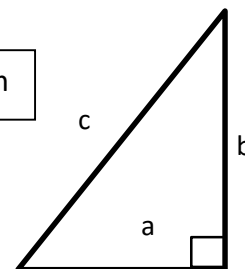
$$s = 20 \text{ cm}$$

$$\pi = 3$$

31. Titartakkap radiusia tassaavoq

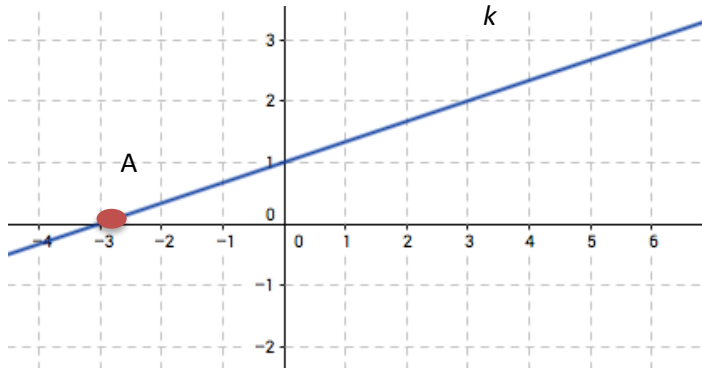
_____ cm

$$a = 6 \text{ cm aamma } b = 8 \text{ cm}$$



32. Trekantimi titarneq c takissuseqarpoq

_____ cm



33. Toorneq A-p nalerarai (__ , __)

34. Toorneq B, (3,2)-mik naleralik inissiguk

35. Titarneq k assigiissitatut allallugu
tassaavoq $y =$ _____



Nallukattat 52-inik nallukattartaqarput.

36. Ataasiarluni amusinermi 5-ip
amunissaa ilimanassuseqarpoq _____

37. Ataasiarluni amusinermi
nallukattamik aappaluttumik amusinissaq
ilimanassuseqarpoq _____



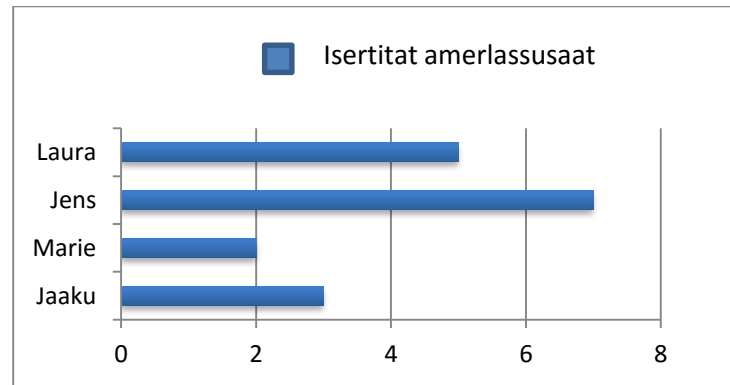
SUN-MAID
SEQQULUTTUAQQAT /
Rosiner, 1000 g

49⁹⁵

38. Seqquluttuaqqat 2 kg
akillineqareernerminni akeqarput

_____ kr.

Assammik arsarnermi isertitat ima
amerlassuseqarput:



39. Isertitat katillugit amerlassuseqarput
_____ -inik

40. Marie qassinik isertitseqqittariaqarpa
Laurap isertitai amerlaqatigilerniarlugit?

_____ -inik